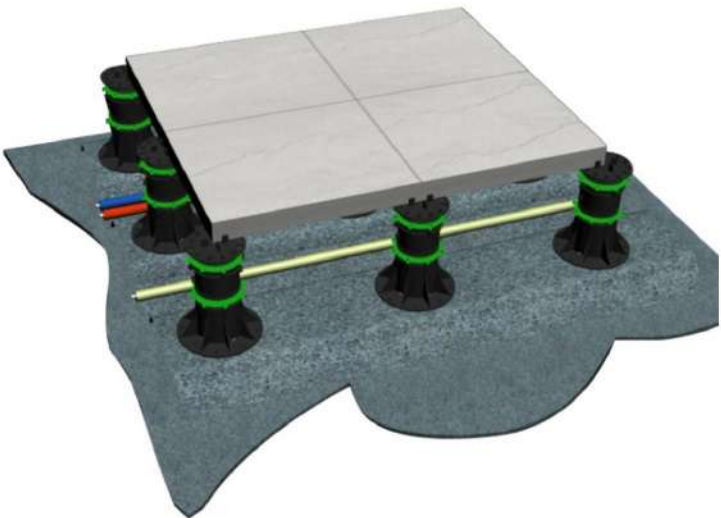




Profession

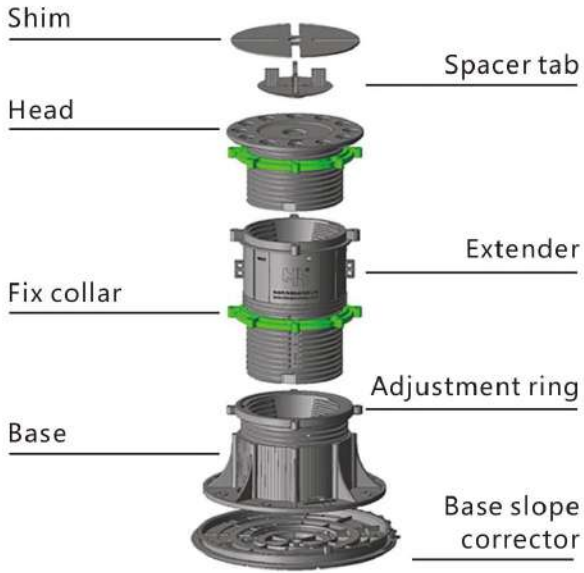
Honesty

Innovation



Adjustable Pedestal

PAVER SUPPORT PEDESTAL



Joist Cradle

Fit any joist width 20-80mm



PROJECT




Deck tile connector and support



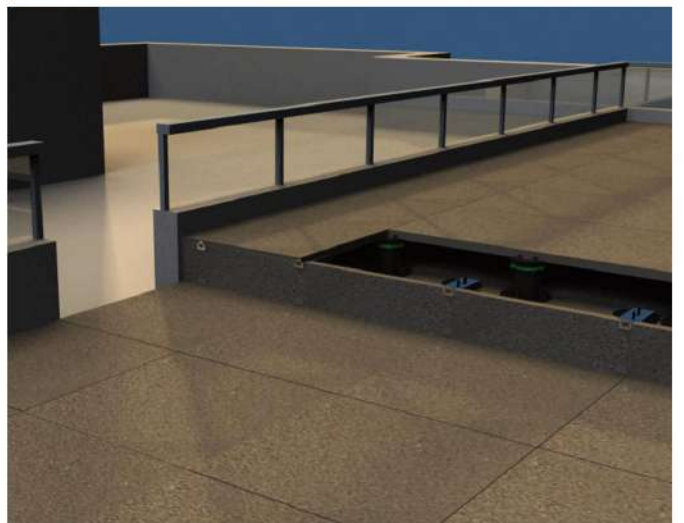
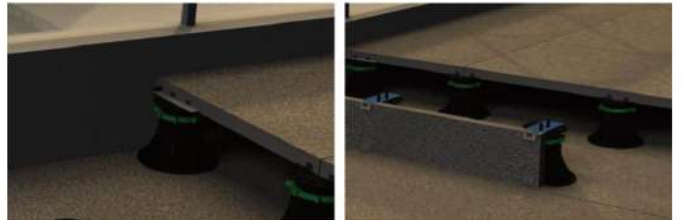
Base Rubber Pads



Anti-noise silent base rubber pads

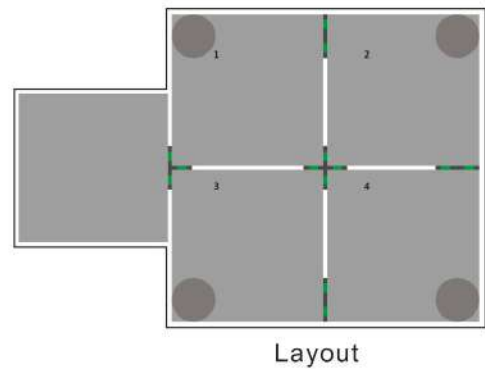
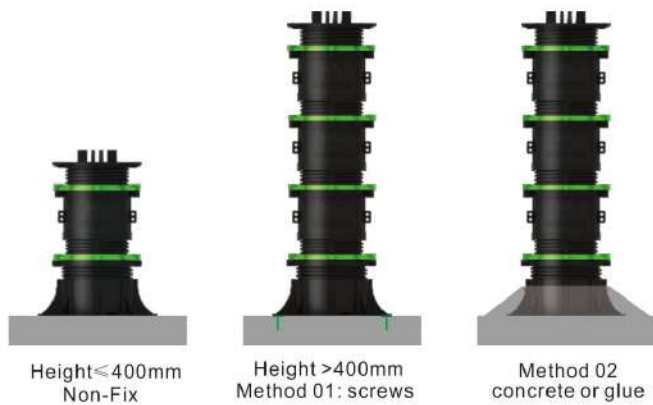
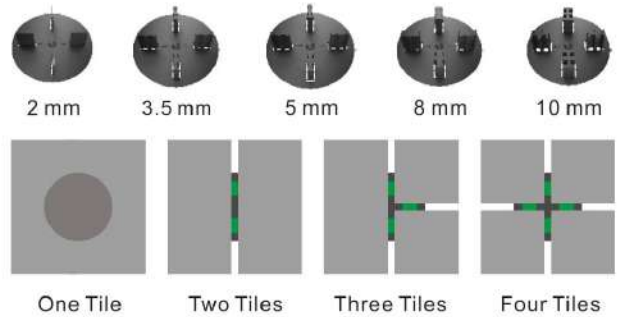
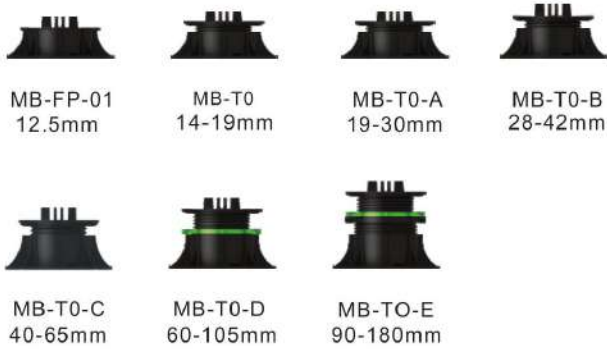
 up to 25 dB

Wallside buffer steel clip and side closure steel clip



Code	MB-FP-01	MB-T0	MB-T0-A
Height Range (mm)	12.5	14-19	19-30
MB-T0-B	MB-T0-C	MB-T0-D	MB-T0-E
28-42	40-65	60-105	90-180

MB-T1	MB-T2	MB-T3	MB-T4
180-320	260 - 450	350 - 580	450 - 730
MB-T5	MB-T6	MB-T7	MB-T8
540 - 880	620 - 1000	720 - 1150	810 - 1280





Hangzhou Moonbay Industrial Co., Ltd.
 Professional Adjustable Plastic Pedestal Manufacturer
 Excellent and experienced teams of develop design,
 manufacturer, sales and service.
 Pursue the management tenet of "offering the top
 quality product to bring the most value for our clients "
 Hot selling in Europe, Australia, America, Asia etc.

ISO9001: 2008 Certificate
 ISO14001: 2004 Certificate
 OHSAS18001: 2007 Certificate



Moonbay adjustable plastic pedestal is made of PP,
 anti-UV, talc etc.
 Support for outdoor terrace with any kind of material:
 timber decking, wpc decking, stone, ceramic,
 composite material, metal, fiberglass grating, etc.
 Can be placed on any stable substrate, also over
 insulation panels.



Fountain



Decking



Water Feature



Paving Tiles



Grating Panel



Roof Floor

Advantage

- 2000kgs loading capacity
- Free samples
- 30 years working life
- Load test, Anti-UV test, Anti-fire test, CE certificate, ROHS certificate, MSDS certificate
- Strong stock ability & shipment in 24 hours
- OEM & LOGO customized
- On-site service every year